

Instrumentation Products

Gauge Valves and Pressure Gauge Accessories



Gauge Cocks | Features and Benefits

Product Description

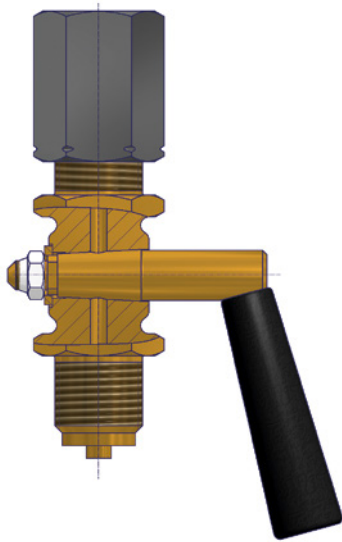
AS-Schneider Gauge Cocks are basically designed, manufactured and tested according to DIN 16261, DIN 16262 and DIN 16263. According to these standards the cocks are applicable for a max. allowable (Working) Pressure (PS) of 6 – 16 bar and a max. allowable Temperature (TS) of 50°C for liquids, gas or vapors. Originally our Gauge Cocks were designed for a max. allowable (Working) Pressure (PS) of 25 bar for the G 1/2 models. We kept this pressure class for these kind of gauge cocks, as you can see in the table on Page 16-18.

Standard Features

- Forged Body
- Plastic Handle

Pressure Test:

A seat test is performed at 1.5 times the max. allowable (working) pressure acc. to EN 12266-1 – P12, Leakage rate A.



Optional Features

- Sealing Washers according to EN 837-1, see Page 34.

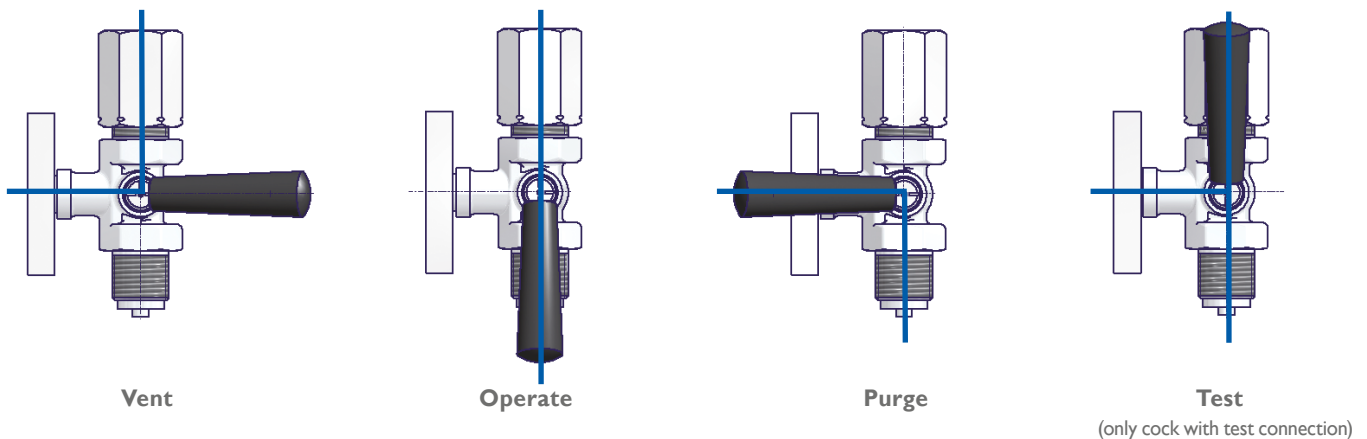
Components	Brass	Stainless Steel
Material / Material No.		
Body	Brass	1.4571
Plug		1.4301
Washer	Unalloyed Steel	A2
Hexagon Nut		Brass
Union Nut	Brass	
Gland	PTFE	
Packing	Unalloyed Steel	Stainless Steel
Adjusting Nut		1.4571
Swivel Nut	Brass	
Test Flange		Plastic
Handle		

Union Nut, Gland and Packing only applicable for Gauge Cocks with Gland.

Operating Positions

Operating Positions are marked on top of the plug. There are max. 4 positions available: Vent, Operate, Purge and Test. The Test Option is only available for Gauge Cocks with Test Connections. The other options are basically for all cocks available except for the Gauge Cocks with Gland without Vent / Test Connection, our types N003.09.000 and N003.10.000. These 2 models just have 2 Operating Positions: Operate or Closed (no marking on the plug required).

Before using the Operating Positions Vent or Purge you must be aware that system fluids are released to atmosphere. These fluids can be poisonous, irritating, hot or cold. This is also valid for the Test Position if the Test Pressure Gauge is not installed, respectively for Gauge Cocks without Test Connection because these Gauge Cocks are provided as a standard with a bleed outlet Ø 3.5 mm instead of the Test Connection. Operation and maintenance may only be done by experienced staff, which is familiar with the secure handling of the used media.

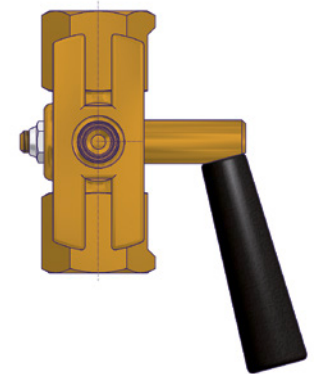
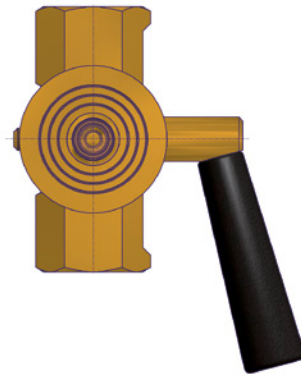
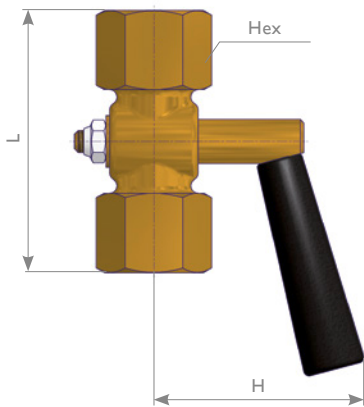


Gauge Cocks

Female x Female Connections

Gauge Cock with Test Flange $\text{\O} 40 \times 5$

Gauge Cock with Test Flange $60 \times 25 \times 10$

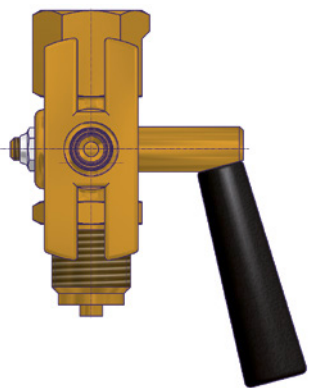
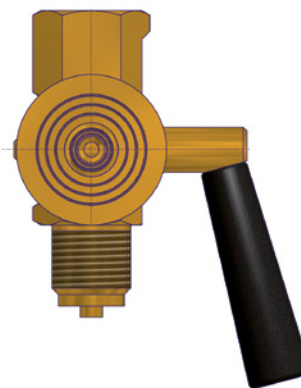
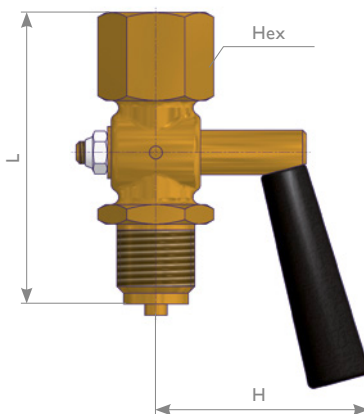


Inlet	Outlet	Material	PN	L	H	Hex	Test Connection	References	Part Number
G 1/4 Female	G 1/4 Female	Brass	6	48	30	17			S003.24.000
G 3/8 Female	G 3/8 Female		16	62	43	22			S003.58.000
G 1/2 Female	G 1/2 Female	1.4571	25	70	57	27		DIN 16261 Type A	S003.13.000
		Brass					Test Flange $60 \times 25 \times 10$		S003.13.200
							Test Flange $60 \times 25 \times 10$	S003.16.000	
							Test Flange $\text{\O} 40 \times 5$	S003.46.000	

Male x Female Connections

Gauge Cock with Test Flange $\text{\O} 40 \times 5$

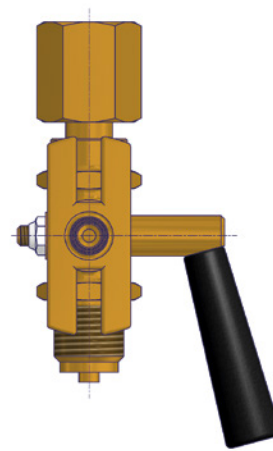
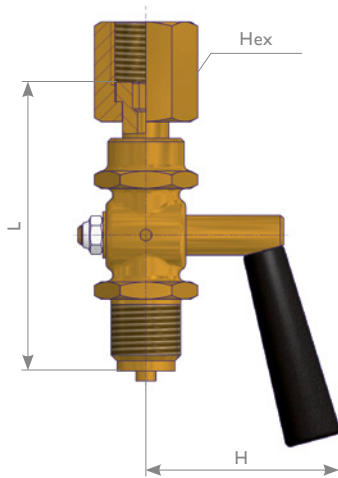
Gauge Cock with Test Flange $60 \times 25 \times 10$



Inlet	Outlet	Material	PN	L	H	Hex	Test Connection	References	Part Number
G 1/4 Male	G 1/4 Female	Brass	6	51	30	17			S003.27.000
			25	70	57	27	Test Flange $\text{\O} 40 \times 5$	S003.47.030	
G 3/8 Male	G 3/8 Female	Brass	16	60	43	22			S003.59.000
				74			Test Flange $\text{\O} 40 \times 5$	S003.47.020	
G 1/2 Male	G 1/2 Female	1.4571	25	78,5	57	27		DIN 16261 Type B	S003.15.000
		83					S003.15.200		
		Brass		78,5			Test Flange $60 \times 25 \times 10$	S003.17.000	
							Test Flange $\text{\O} 40 \times 5$	S003.47.000	

Instrument Connection - Swivel Nut

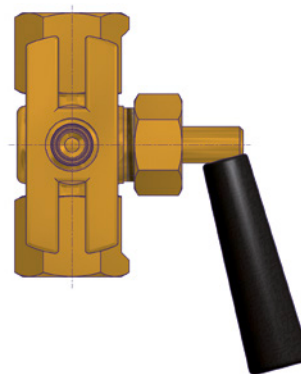
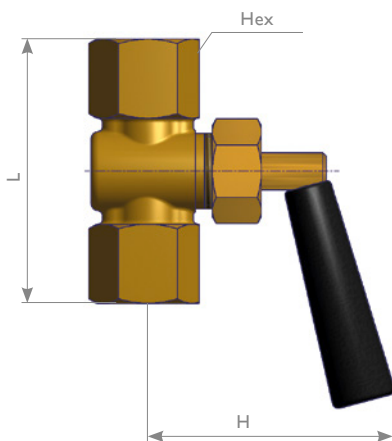
Gauge Cock with Test Flange 60 x 25 x 10



Inlet	Outlet	Material	PN	L	H	Hex	Test Connection	References	Part Number
G 1/2 Male	G 1/2 Swivel Nut	Brass	25	87	57	27			N003.19.000
				Test Flange 60 x 25 x 10				N003.14.000	
G 1/2 Female				82					S003.22.000
							Test Flange 60 x 25 x 10		S003.18.000

Gauge Cocks with Gland

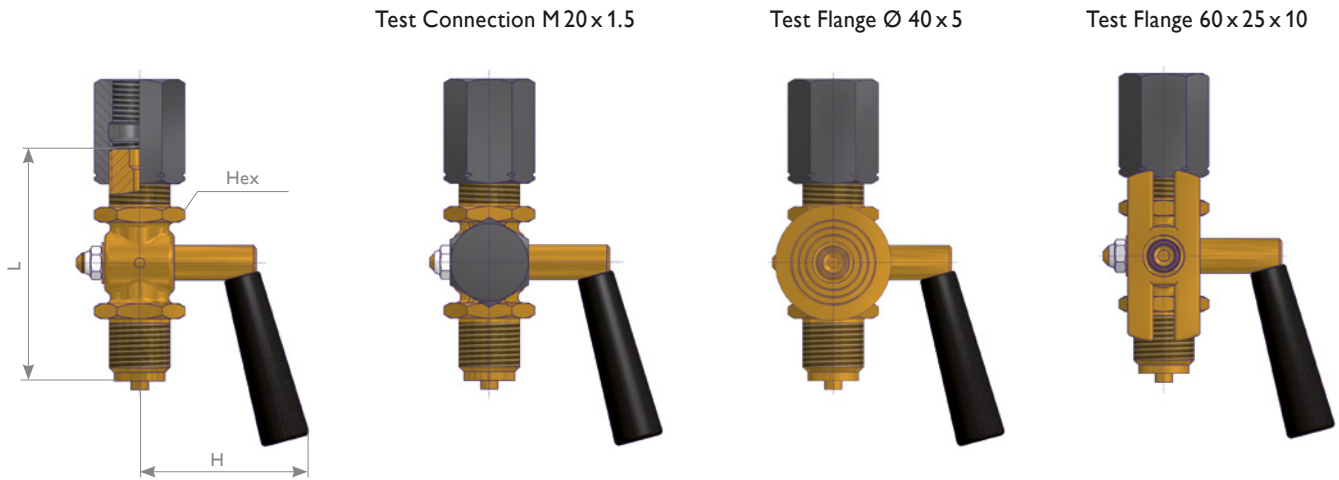
Gauge Cock with Test Flange 60 x 25 x 10



Inlet	Outlet	Material	PN	L	H	Hex	Test Connection	Remarks	Part Number
G 1/2 Female	G 1/2 Female	Brass	25	70	65	27			N003.09.000
							Test Flange 60 x 25 x 10	with vent	N003.09.000.02
G 1/2 Male				77					N003.10.000
						with vent	N003.10.000.02		

Gauge Cocks

Male x Female (Adjusting Nut) Connections



Inlet	Outlet	Material	PN	L	H	Hex	Test Connection	References	Part Number
G 1/4 Male	G 1/4 Adjusting Nut	Brass	6	55	30	17		DIN 16262 Type B	S003.42.000
G 1/2 Male	G 1/2 Adjusting Nut	Brass (AP)*	25	80	57	27	M 20 x 1.5 c/w Protective Cap	DIN 16262 Type A	N003.30.000
		1.4571		83					S003.30.000.32
		Brass		80				DIN 16263 Type A	N003.31.000
		Brass (AP)*							S003.31.000.32
		1.4571		83				DIN 16263 Type A	S003.31.200
		Brass		80					N003.36.000
		Stainless Steel		83				Test Flange 60 x 25 x 10	S003.36.200
				80				Test Flange Ø 40 x 5	N003.38.000
			N003.30.050						
M20 x 1.5 Male	M20 x 1.5 Adjusting Nut	Brass		80			M 20 x 1.5 c/w Protective Cap		N003.31.050
		1.4571		83					S003.31.250

* Brass (AP) = Body, Adjusting Nut and Protective Cap in Brass

YOUR GLOBAL PARTNER

for Instrumentation and
Double Block & Bleed Valves



Visit us on:



ARMATURENFABRIK FRANZ SCHNEIDER GMBH + CO. KG
World Headquarters
Bahnhofplatz 12, 74226 Nordheim, Germany
Tel: +49 7133 101-0
www.as-schneider.com



ARMATURENFABRIK FRANZ SCHNEIDER SRL
Gradinari 32-38, 100404 Ploiesti
Romania
Tel: +40 244 384 963
www.as-schneider.ro



AS-SCHNEIDER ASIA-PACIFIC PTE. LTD.
970 Toa Payoh North, #02-12/14/15, Singapore 318992,
Singapore
Tel: +65 62 51 39 00
www.as-schneider.sg



AS-SCHNEIDER AMERICA, INC.
17449 Village Green Dr, Houston, TX 77040
United States of America
Tel: +1 281 760 1025
www.as-schneider.com



AS-SCHNEIDER MIDDLE EAST FZE
P.O. Box 18749, Dubai
United Arab Emirates
Tel: +971 4 880 85 75
www.as-schneider.ae



AS-0201-EN | July 2019